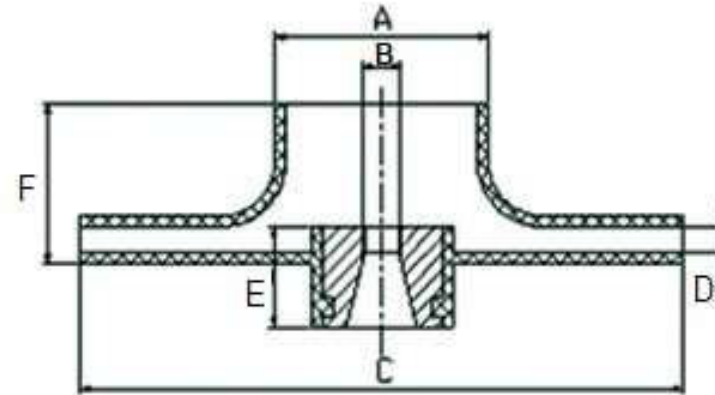


Impeller CN



CN : T250 Image

CN : T250 drawing



Conical impellers without shoulder CN dimensions (mm)

Model	$\varnothing A$	$\varnothing B$	$\varnothing C$	D	E	F	Hub	Shoulder
T250	47	M8	130	4	23.4	27.5	Conical	No