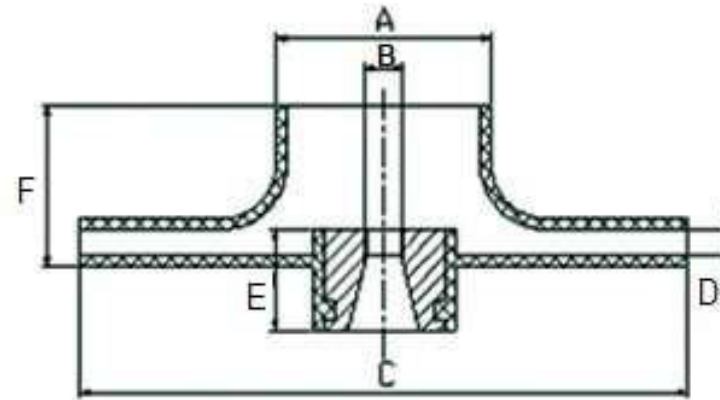


## Impeller CN



CN : T102 Image

CN : T102 drawing



### Conical impellers without shoulder CN dimensions (mm)

Model	$\varnothing A$	$\varnothing B$	$\varnothing C$	D	E	F	Hub	Shoulder
T102	3.5	M8	130	4.2	22.5	28.4	Conical	No