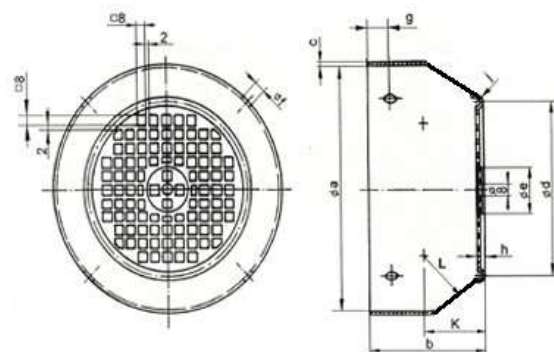


Image CV I



CV I Drawing



CV I Dimensions

Model	Ø a	b	c	Ø d	Ø e	Ø f	g	h	j	K	L	Air flow
CV180I	345	.	1.5	218	52	6.8	35	2	4	71	65	181 cm ²
CV200I	382	.	1.5	250	69	6.8	38	2	4	72	66	241 cm ²
CV225I	430	.	1.5	263	69	6.8	42	3	4	96	90	325 cm ²