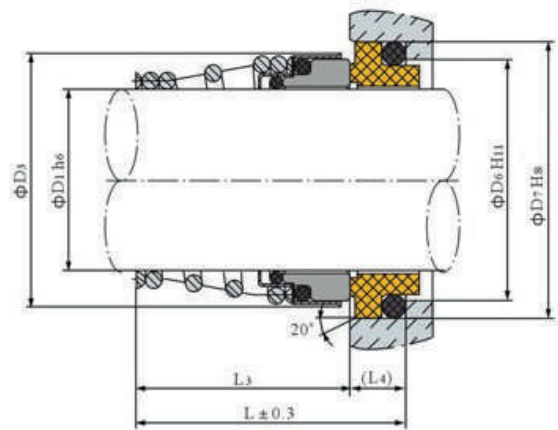


Image PR

PR Drawing



Allowable limits

Pressure : 0.7MPa
 Velocity : 13m/s
 Temperature : - 20 - 100°C

Component materials

Fixed ring: Carbon
 Rotating ring: Ceramic
 Secondary seal: NBR
 Spring & others: SUS304

Application

Water circulation pump

PR Dimension

Model	D1	D3	D6	D7	L	L3	L4
P10R	10	20.0	14.0	18.1	20.5	15	5.5
P11R	11	22.0	16.5	20.6	23.5	18	5.5
P12R	12	22.0	16.5	20.6	23.5	18	5.5
P13R	13	25.0	19.0	23.1	28	22	6
P14R	14	25.0	19.0	23.1	28	22	6
P15R	15	29.0	21.0	26.9	29	22	7
P16R	16	29.0	21.0	26.9	30	23	7
P17R	17	29.0	21.0	26.9	30	23	7

PR Dimension

Model	D1	D3	D6	D7	L	L3	L4
P18R	18	33.0	25.0	30.9	32	24	8
P19R	19	33.0	25.0	30.9	33	25	8
P20R	20	33.0	25.0	30.9	33	25	8
P21R	21	38.0	30.0	35.4	33	25	8
P22R	22	38.0	30.0	35.4	33	25	8
P23R	23	38.0	30.0	35.4	35	27	8
P24R	24	38.0	30.0	35.4	35	27	8
P25R	25	40.0	33.0	38.2	35	27	8.5
P28R	28	46.0	38.0	43.3	38	29	9
P29R	29	46.0	38.0	43.3	39	30	9
P30R	30	46.0	38.0	43.3	39	30	9
P32R	32	46.0	38.0	43.3	39	30	9
P33R	33	48.0	45.0	53.5	50.5	39	11.5
P35R	35	50.0	45.0	53.5	50.5	39	11.5
P38R	38	58.0	52.0	60.5	51	39	11.5
P40R	40	58.0	52.0	60.5	51	39	12