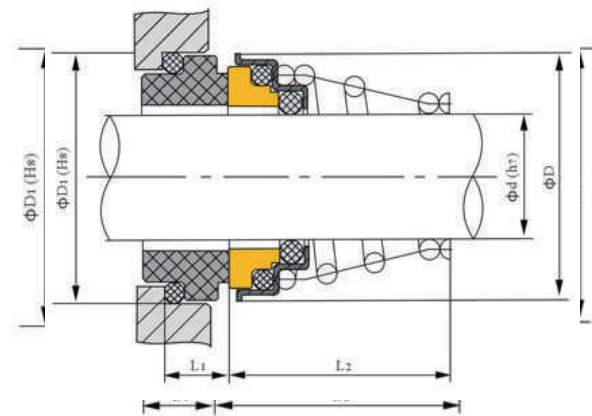


Image PRL

PRL Drawing



**Allowable limits**

Pressure : 0.7MPa  
 Velocity : 13m/s  
 Temperature : - 20 - 100°C

**Component materials**

Fixed ring: Carbon  
 Rotating ring: Ceramic  
 Secondary seal: NBR  
 Spring & others: SUS304

**Application**

Water circulation pump

**PRL Dimension**

Model	d	D	D1	L1	L2
P10RL	10	20	21	7	15.2
P12RL	12	22	2J	7	18.2
P14RL	14	25	25	7	22.2
P16RL	16	29	27	7	23.2
P18RL	18	33	33	10	24.2
P20RL	20	33	35	10	25.2
P22RL	22	38	37	10	25.2
P24RL	24	38	39	10	27.2

## PRL Dimension

Model	d	D	D1	L1	L2
P25RL	25	40	40	10	27.2
P28RL	28	46	43	10	29.2
P30RL	30	46	45	10	30.2
P32RL	32	46	48	10	30.2
P33RL	33	48	48	10	39.2
P35RL	35	50	50	10	39.2
P38RL	38	56	56	13	42.2
P40RL	40	58	58	13	42.2