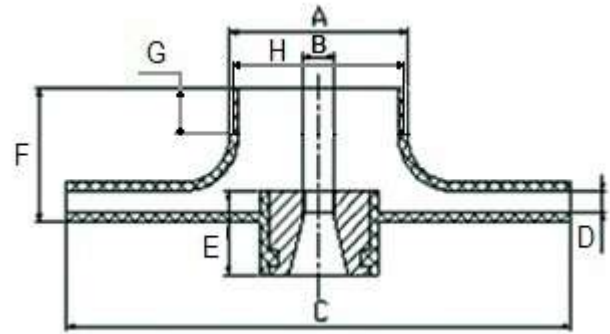


CNEP : T130 , T130 H6 Image

CNEP : T130 , T130 H6 drawing



Shouldered conical impellers CNEP dimensions (mm)

Model	ØA	ØB	ØH	ØC	D	E	F	G	Hub	Shoulder
T130	41.8	M10	38.5	128	4.2	23	30	12	Conical	No
T130H6	41.8	M10	38.5	128	6	23	31.5	12		