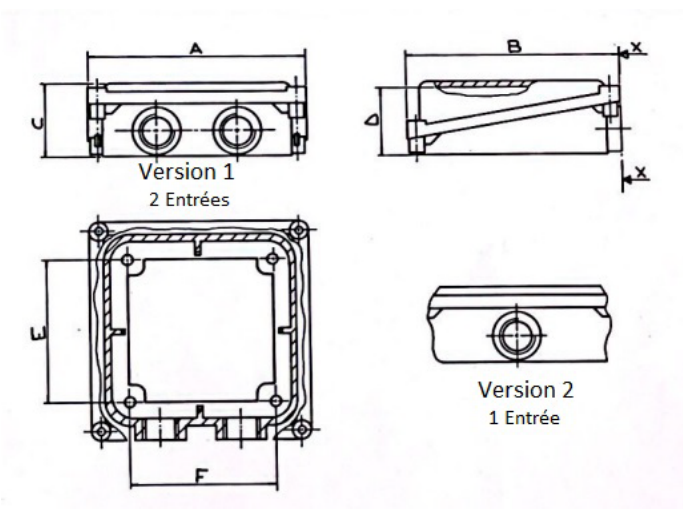


Image CP54



Schémas CP54



Dimensions CP54

Modèle	A	B	C	D	E	F	1	2
CP63-71IP	95	95	38	36	60	60	PG 11 PG 13.5 GAS 1/2	PG 11 PG 13.5 GAS 1/2
CPB100-112	118	120	44	42	74	74	PG 13.5 PG 16 GAS 1/2	PG 13.5 PG 16 GAS 1/2
CP.54-132	130	130	58	56	86	86	PG 13.5 PG 16 GAS 1/2	PG 13.5 PG 16 GAS 1/2
								PG21